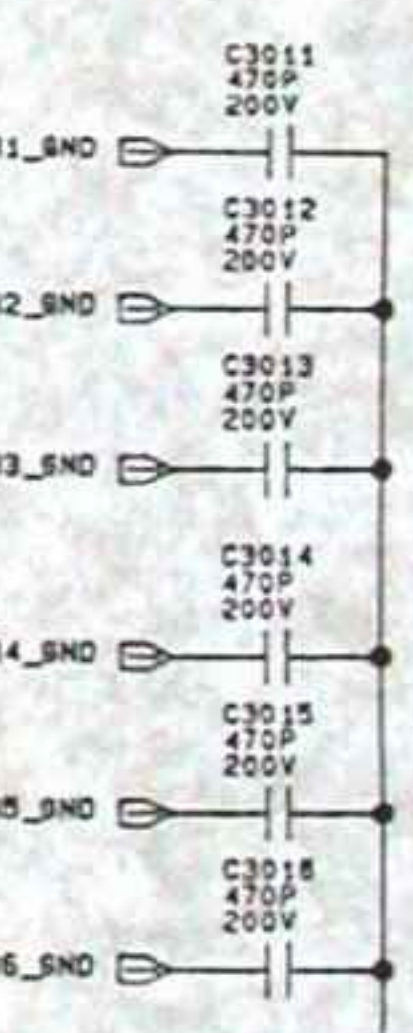


SEE SHEET 1  
FOR COILS OF K3001-K3008



- U3303 THE PIN 7 TO RIGHT\_POS
- U3304 THE PIN 7 TO RIGHT\_NEG
- U3403 THE PIN 7 TO RIGHT\_POS
- U3404 THE PIN 7 TO RIGHT\_NEG
- U3500 THE PIN 16 TO RIGHT\_POS
- U3501 THE PIN 16 TO RIGHT\_NEG
- U3502 THE PIN 15 TO RIGHT\_POS
- U3503 THE PIN 15 TO RIGHT\_NEG

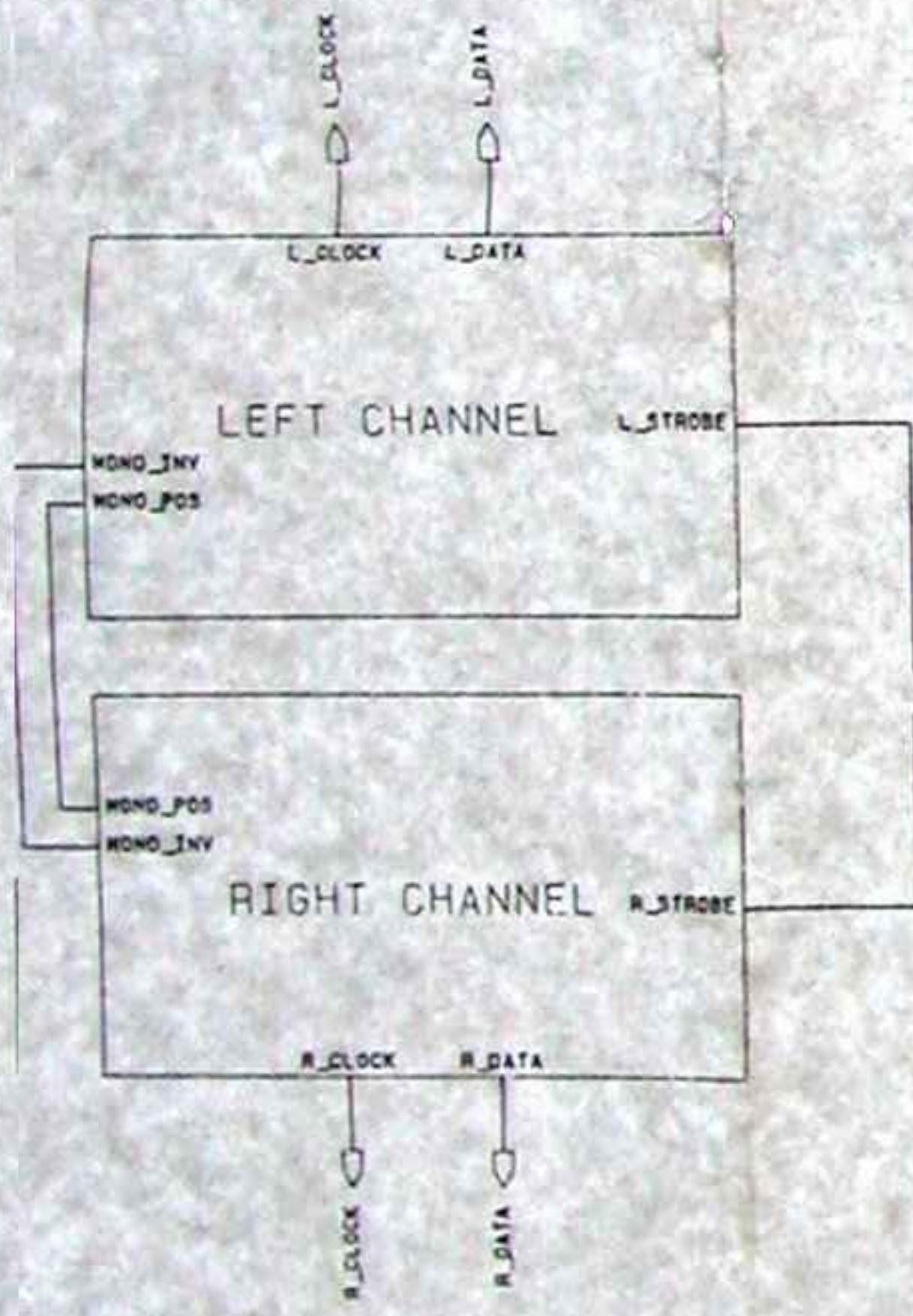
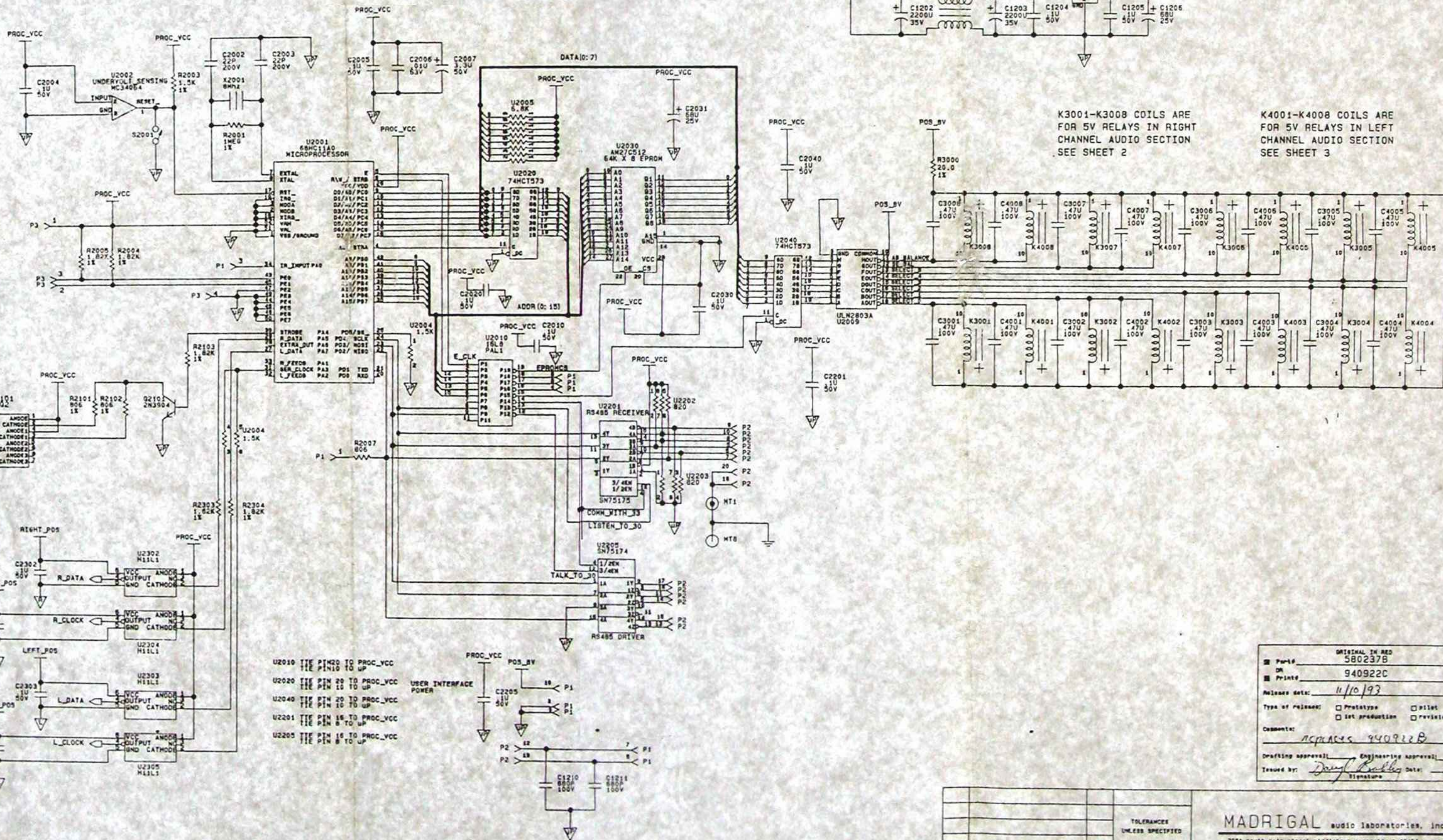
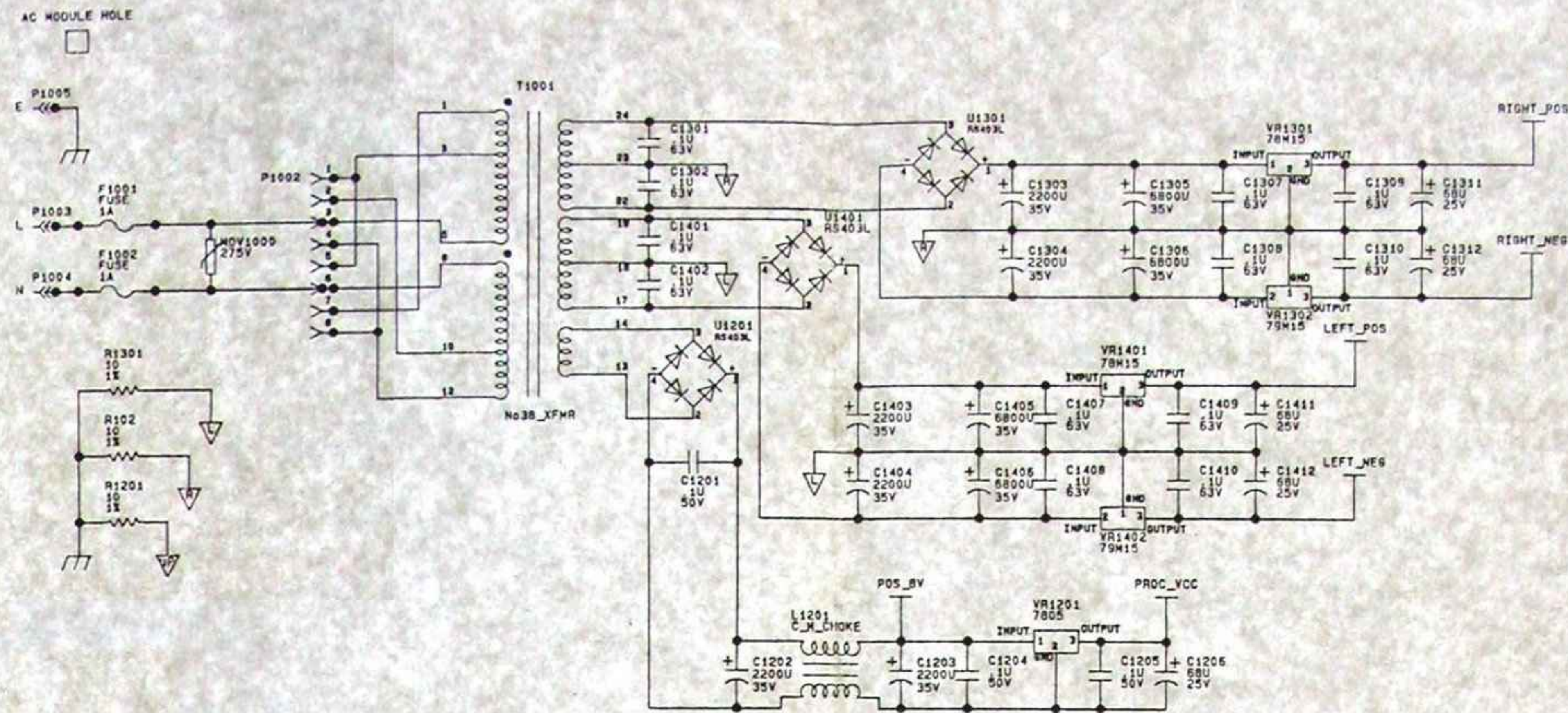
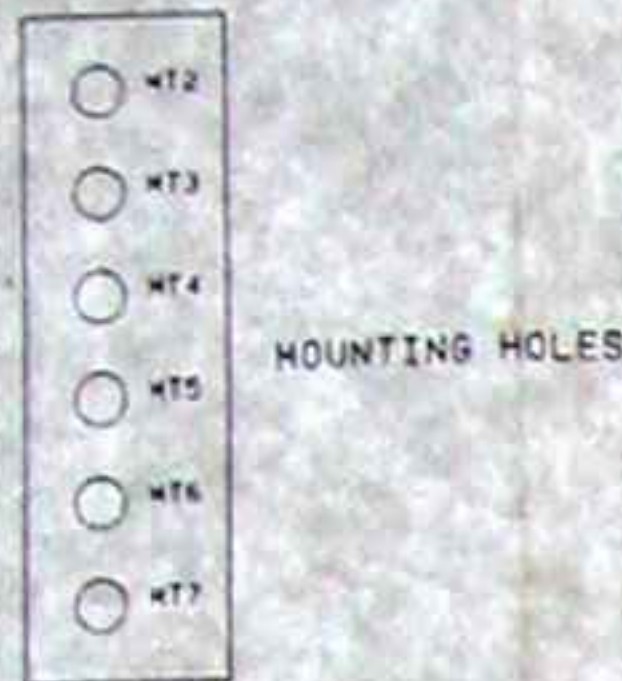
ISSUE	REVISION	DATE	SCALE:	TOLERANCES UNLESS SPECIFIED	FRACTION $\pm .010$ DECIMAL $\pm .008$ ANGLE $\pm 1/2^\circ$	NAME	DATE	USED IN No. 38	MATERIAL
C	VALUE CHANGE	10-5							
B	CIRCUIT CHANGE	9-21							
A	VALUE CORRECTIONS	8-11							

MADRID  
2001 SOUTH MAIN ST.

DATE 10-21-93  
NAME

DAC-38 RIGHT C

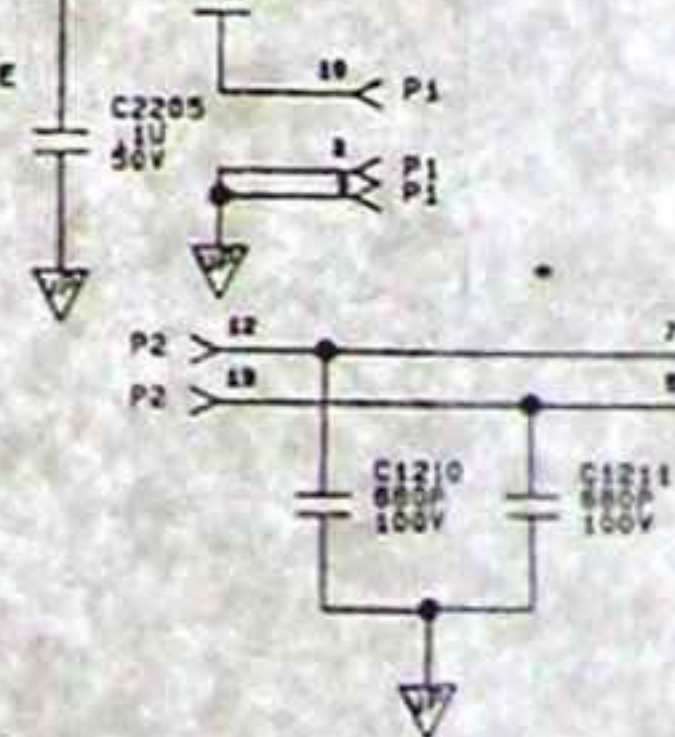




K3001-K3008 COILS ARE FOR 5V RELAYS IN RIGHT CHANNEL AUDIO SECTION SEE SHEET 2

K4001-K4008 COILS ARE FOR 5V RELAYS IN LEFT CHANNEL AUDIO SECTION SEE SHEET 3

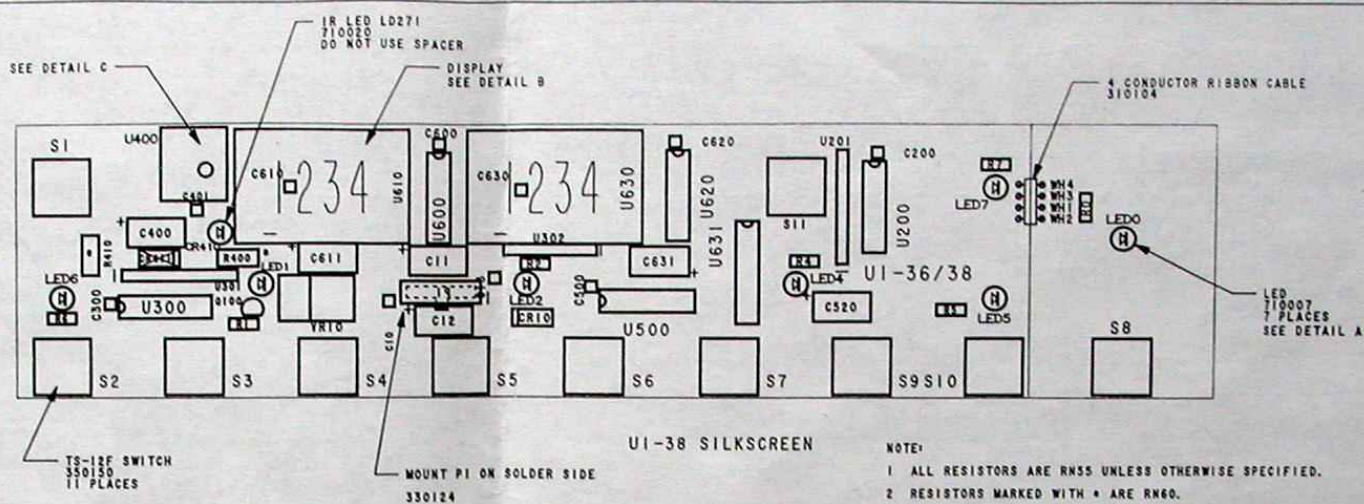
- U2010 TIE PIN20 TO PROC\_VCC
- U2020 TIE PIN 20 TO PROC\_VCC
- U2040 TIE PIN 20 TO PROC\_VCC
- U2201 TIE PIN 16 TO PROC\_VCC
- U2205 TIE PIN 16 TO PROC\_VCC



Part No	580237B
Print	940922C
Release date:	4/10/93
Type of release:	<input type="checkbox"/> Prototype <input type="checkbox"/> Pilot
	<input type="checkbox"/> 1st production <input type="checkbox"/> Revision
Comments:	replaces 940922B
Drafting approval:	Engineering approval:
Issued by: <i>Doug Bailey</i>	Date:

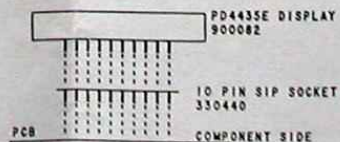
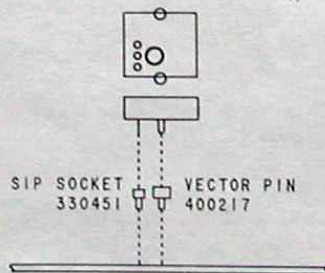
TOLERANCES UNLESS SPECIFIED		MATERIAL	
FRACTION	±.010	SHEET	1 OF 3
DECIMAL	±.005	NO.	93 93 93 D E
ANGLE	±1/2°	NAME	DAC-38
C VALUE CHANGE	10-5	USED IN	940922C
B CIRCUIT CHANGE	9-21	DATE	7-03-92
A VALUE CORRECTION	8-14	DATE	5-05-90
ISSUE	REVISION	DATE SCALE:	

MADRIGAL audio laboratories, inc.

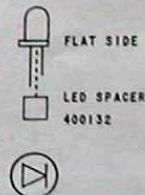


COMPONENTS MARKED WITH AN 'X' ARE UNUSED

- NOTE:
- 1 ALL RESISTORS ARE RN55 UNLESS OTHERWISE SPECIFIED.
  - 2 RESISTORS MARKED WITH \* ARE RN60.



DETAIL B



LED MOUNTING DETAIL  
DETAIL A

DETAIL C

ORIGINAL IN RED

Part No. 580228C

Rev. No. 940934E

Release date: 6/5/95

Type of release:  Prototype  Pilot  Test production  Revision

Comments: 10 places 940934D  
FW 1559

Drafting approved: [Signature] Date: 6/5/95

Engineering approved: J.C.H. Date: 6/5/95

Issued by: [Signature] Date: 6/5/95

ISSUE	REVISION	DATE	SCALE
E	LD271 WAS LD274	5-30	TOLERANCES UNLESS SPECIFIED
C	DETAIL CORRECTION		FRACTION ± .010
	VALUE CORRECTION	5-1	DECIMAL ± .005
C	DETAIL CORRECTION	6-9	ANGLE ± 1/2°
A	JUMPER ADDED	7-12	DR. BY DATE A.M. 4-23-93
			CR. BY DATE

MADRIGAL audio\_laboratories, inc.

2081 south main street middletown connecticut 06457 u.s.a.

MATERIAL

USED IN  
NO. 36, No. 38

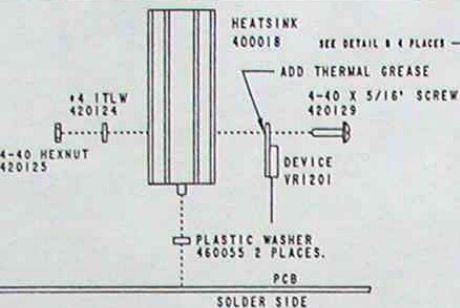
NAME  
UI-38 ASS'Y

SHEET		OF		SIZE B	
A	B	C	D	E	R
93	94	95	95	95	95

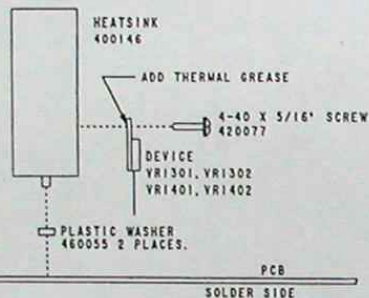
NO.

940934E

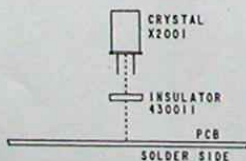




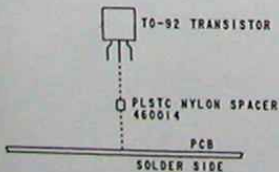
HEATSINK MOUNTING  
DETAIL A



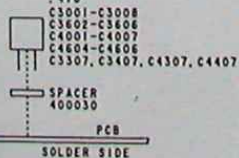
HEATSINK MOUNTING  
DETAIL B



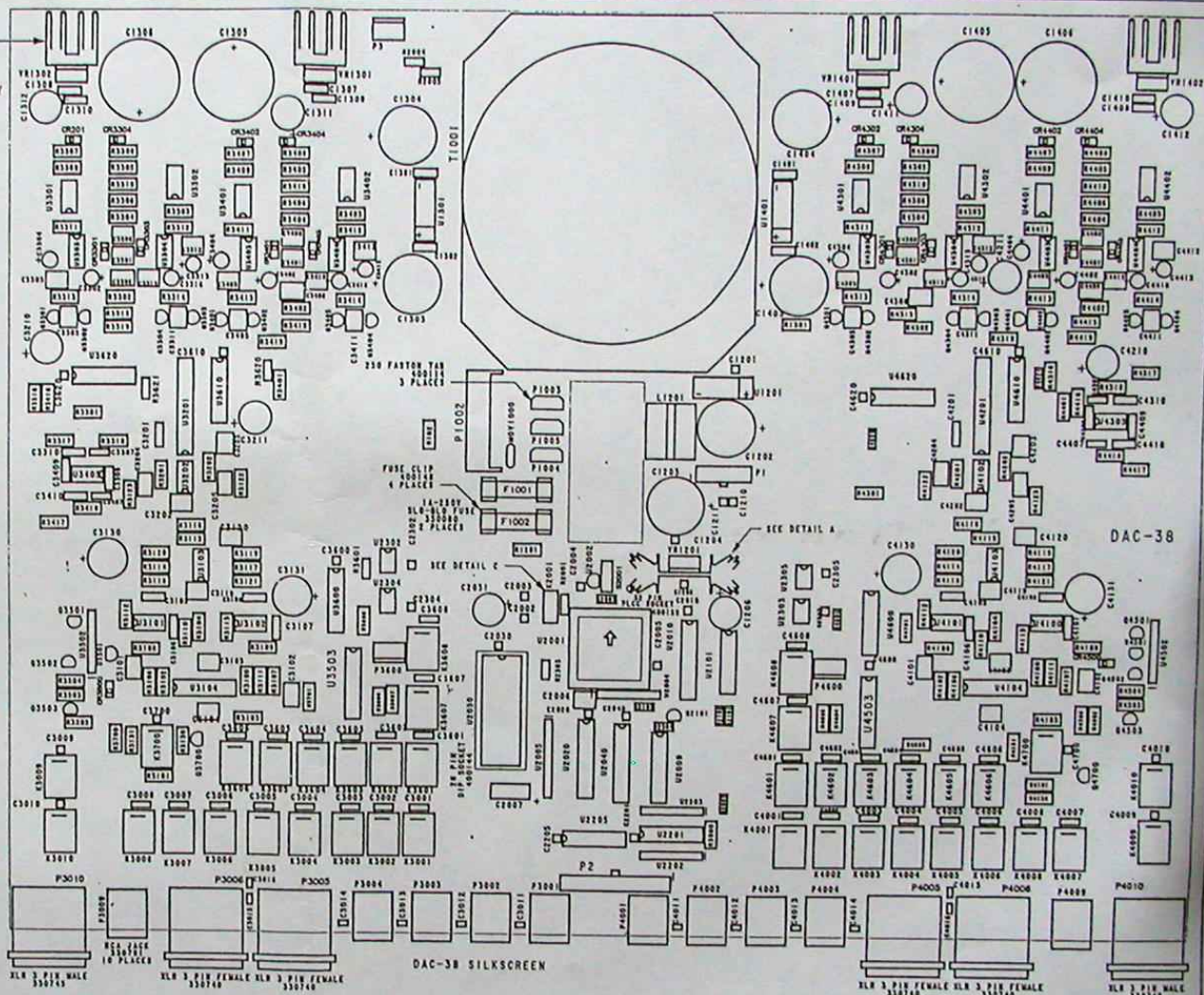
CRYSTAL MOUNTING  
DETAIL C



TO-92 MOUNTING  
DETAIL D



CAP MOUNTING  
DETAIL E



NOTE:  
1 DO NOT EXPOSE XLR INSERTS 330745/330740 AND 47P 125V CAPS 220003 TO FREON.

MINIPLAT 78 REV	
Part:	580237B
Price:	940924C
Release date:	6/28/78
Type of release:	<input type="checkbox"/> New design <input type="checkbox"/> Change
Function:	<input type="checkbox"/> New product <input type="checkbox"/> Revision
Working approved:	Signature: [Signature]
Drawn by:	Signature: [Signature]

REV	REVISION	DATE	SCALE
C	ADDED DETAIL E	6-22	
B	ARTWORK REVISED	6-21	
A	VALUE CORRECTIONS	6-11	

MADRIGAL audio laboratories, inc.

3081 south main street addleton wisconsin 53407 u.s.a.

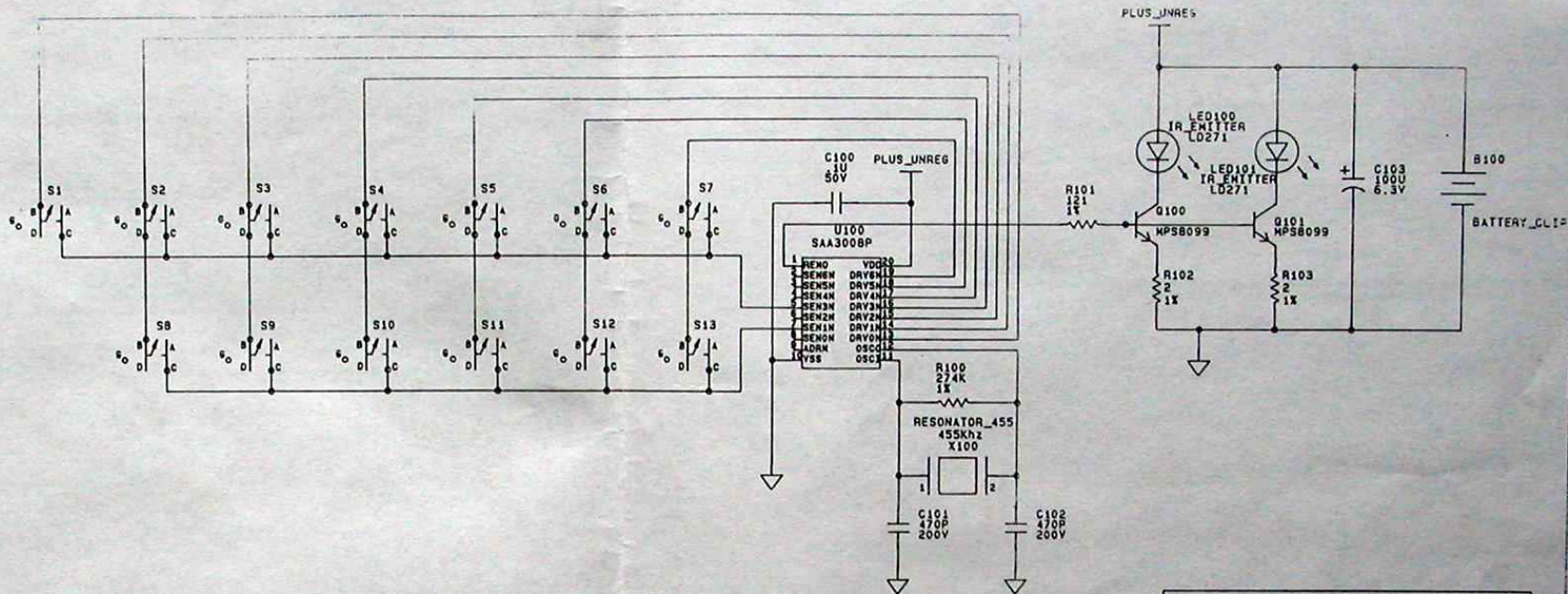
MATERIAL

USED IN No. 38

NAME: DAC-38 ASS'Y DWG

NO. 940924C

SHEET	OF	SIZE
A	B	C
1	1	A



ORIGINAL IN RED	
Part#	580221
CR	940928A
Print#	
Release date:	6/5/95
Type of release:	<input type="checkbox"/> Prototype <input type="checkbox"/> pilot
	<input type="checkbox"/> 1st production <input checked="" type="checkbox"/> revision
Customer:	REPLACES 940928
	CCW 1559
Drafting approval:	Engineering approval:
Issued by: <i>Danny B...</i>	Signature: <i>Danny B...</i> date: 6/5/95

		TOLERANCES UNLESS SPECIFIED		MADRIGAL audio laboratories, inc.	
		FRACTION ±.010 DECIMAL ±.008 ANGLE ±1/2°		2081 SOUTH MAIN STREET MIDDLETOWN CONNECTICUT 06457 U.S.A.	
		OR. U.S. DATE 2/22/93		MATERIAL	
		CH. XXX DATE 0-00-00		SHEET OF SIZE	
A LD271 WAS LD274		5-30		USED IN No 38	
ISSUE REVISION		DATE SCALE:		NAME REM_38	
				A B C D E	
				No. 940928A	